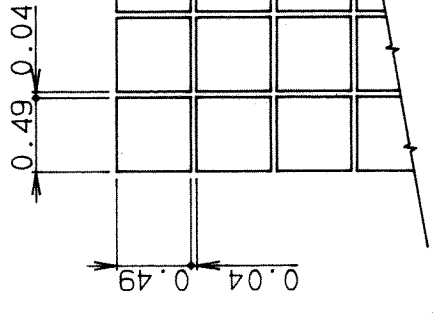
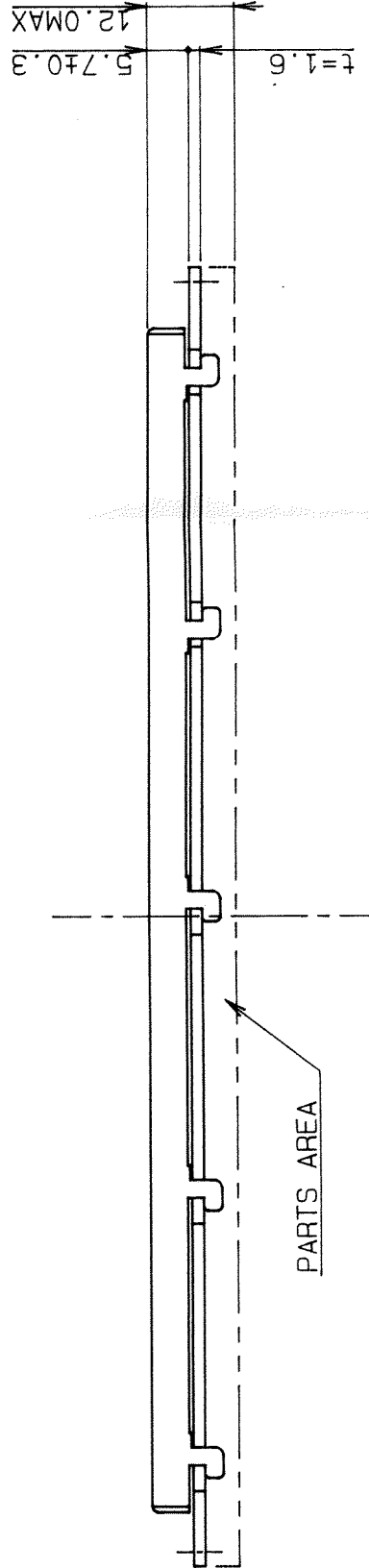
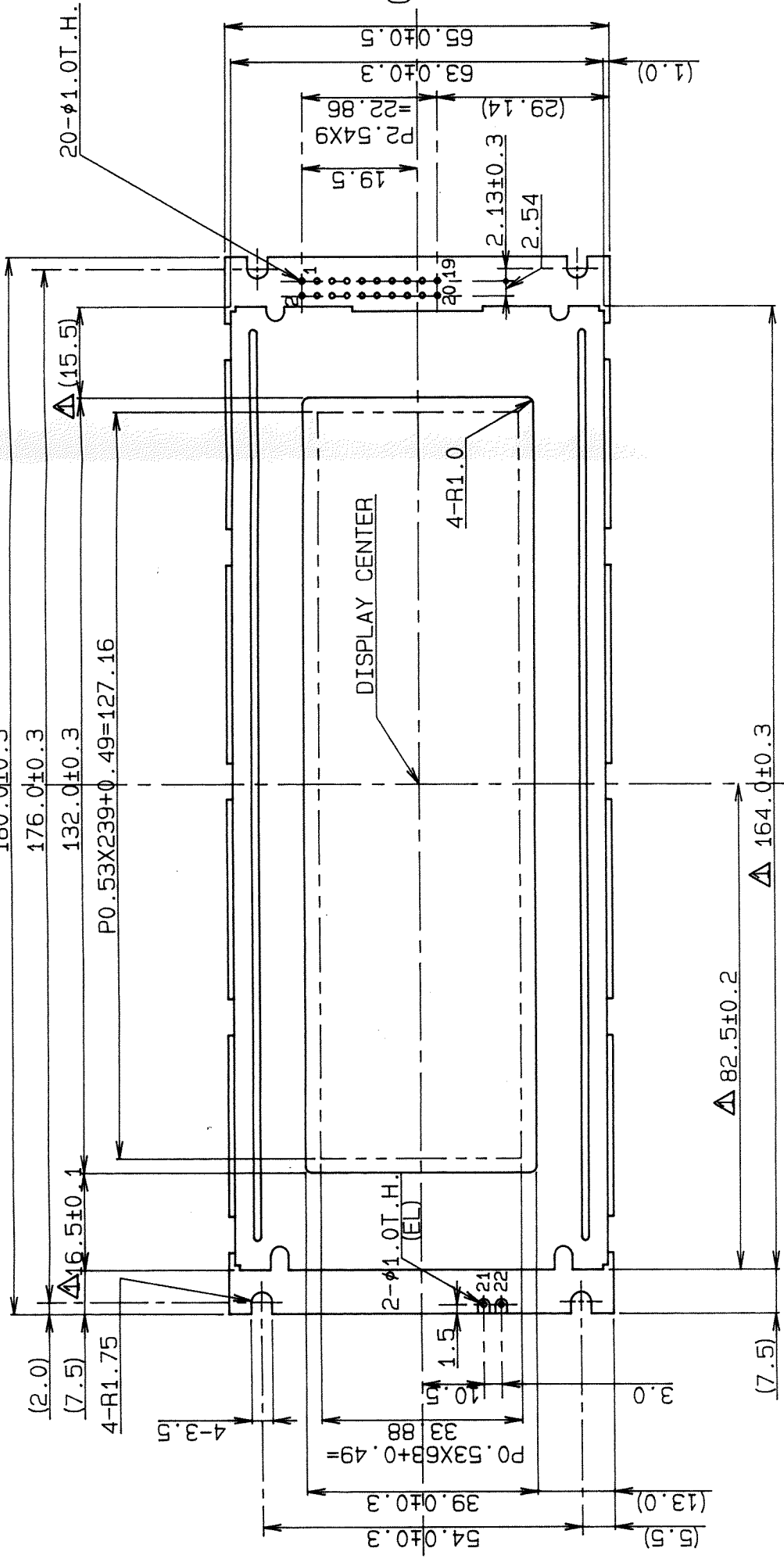


PIN ASSIGNMENT

PIN No.	SYMBOL
1	FG
2	V _{SS}
3	V _{CC}
4	V _{EE}
5	WR
6	RD
7	CE
8	C/D
9	NC
10	RESET
11	D0
12	D1
13	D2
14	D3
15	D4
16	D5
17	D6
18	D7
19	FS
20	NC
21	EL 1)
22	EL 1)

ISSUED
'00.9.-4
OPTREX Corp.



DOT DETAIL (20: 1)

NOTE) 1. USE FOR EL TYPE ONLY.

TOLERANCE	A	B	C
MEASURE	±0.1	±0.3	±1
1≤L16	±0.2	±0.5	±1.5
16<L≤63	±0.3	±0.8	±2
63<L≤250	±0.5	±1.2	±3
250<L≤500	±0.8	±2	±4
500<L≤1000	±1.0	±3	±5

ANGLE	±30'	±1°	±2°
1			

6	MATERIAL	FINISH	Q'ty	NOTE
5 <td>3rd ANGLE PROJECTION <td>TOLERANCE CLASS: A <td>SCALE: 1: 1 (20: 1) <td></td> </td></td></td>	3rd ANGLE PROJECTION <td>TOLERANCE CLASS: A <td>SCALE: 1: 1 (20: 1) <td></td> </td></td>	TOLERANCE CLASS: A <td>SCALE: 1: 1 (20: 1) <td></td> </td>	SCALE: 1: 1 (20: 1) <td></td>	
4 <td>APPROVED JAN 14 '93</td> <td>MODEL ADMF5005Series</td> <td></td> <td></td>	APPROVED JAN 14 '93	MODEL ADMF5005Series		
3 <td>CHECKED JAN 14 '93</td> <td>TITLE DIMENSIONAL OUTLINE</td> <td></td> <td></td>	CHECKED JAN 14 '93	TITLE DIMENSIONAL OUTLINE		
2 <td>DRAWN JAN 14 '93</td> <td>CODE</td> <td></td> <td></td>	DRAWN JAN 14 '93	CODE		
1 <td>DESIGNED JAN 14 '88</td> <td>DRAWING No. UE-31806B</td> <td></td> <td></td>	DESIGNED JAN 14 '88	DRAWING No. UE-31806B		

OPTREX CORPORATION